

**SDB 151-40****Storage Cabinet**

The SDB series is equipped with a patented drying unit U-4001. A second drying unit is optional available. Engineered for medium to long-term constant low humidity storage of  $\leq 2\%$  RH.

The circulation of air in the cabinet is regulated through an inside fan.

All surfaces are ESD coated in conformity with current ESD 61340-5-1 standard.

The SDB 151-40 is ideal for the moisture-proof and anti-oxidation storage of wide-ranging technologies and conforms with IPC/JEDEC J-STD 033C & IPC-1601.

**0 series display**

Battery operated humidity measurement device  
(standard in cabinet)



## SDB 151-40

### Standard Features

✓ <b>Hygrometer</b>	Hygrometer with alarm function, accuracy +/- 3%
✓ <b>ESD safe design</b>	Norm (IEC 61340-5-1) ESD metal painted body (<10 <sup>6</sup> Ohm/sq) Dissipative glazing (in- and outside 10 <sup>8</sup> Ohm/sq)
✓ <b>Lockable doors</b>	Door locked with key
✓ <b>Shelves</b>	In height adjustable ESD painted steel shelves (3 pcs)
✓ <b>Drying unit</b>	U-4001 drying unit (optional second available)
✓ <b>Transport</b>	Castors, 360° rotating wheels
✓ <b>Power supply</b>	Power cord 5 meter with IEC plug

### Benefits

✓ <b>Recovery time after door opening</b>	<7 minutes to below 5% with 1 dry unit (by 1 door opening)
✓ <b>Highly energy efficient</b>	Average power consumption 24 W/h
✓ <b>IPC</b>	According to IPC-JEDEC J-STD 033C & IPC-1601
✓ <b>Maintenance</b>	The drying unit is maintenance free, easy to service

## SDB 151-40

### Technical data cabinet

✓ External dimensions:	(W x H x D) 500 x 630 x 580 mm
✓ Internal dimensions:	(W x H x D) 490 x 560 x 450(530) mm
✓ Weight:	37 kg
✓ Weight on shelf:	30 kg
✓ Max. loading capacity:	100 kg
✓ Body:	Steel, conductive coated 10 <sup>7</sup> Ω/sq
✓ Shelves (WxD):	3 pcs, 468 x 380 mm adjustable (ESD coated)
✓ Volume:	135 L
✓ Electric supply:	230 VAC/50 Hz or 120 VAC/60 Hz
✓ Power consumption:	Average 24 W/h (excl. heating)
✓ Protection class:	Class 1, hard grounded
✓ Humidity level cabinet:	≤5% RH, depending on amount of door openings

### Technical data dry-unit U-4000 series

✓ Control: Standalone drying unit (no control function)
✓ Dehumidifying Temperature: 10 – 40° C
✓ Electric supply: 230VAC 50Hz or 120VAC 60Hz
✓ Dimensions (L x B x H): 260 x 380 x 100 mm
✓ Weight: 8,1 kg
✓ Power consumption: 24 W/h

### Technical data heater SH 230-1

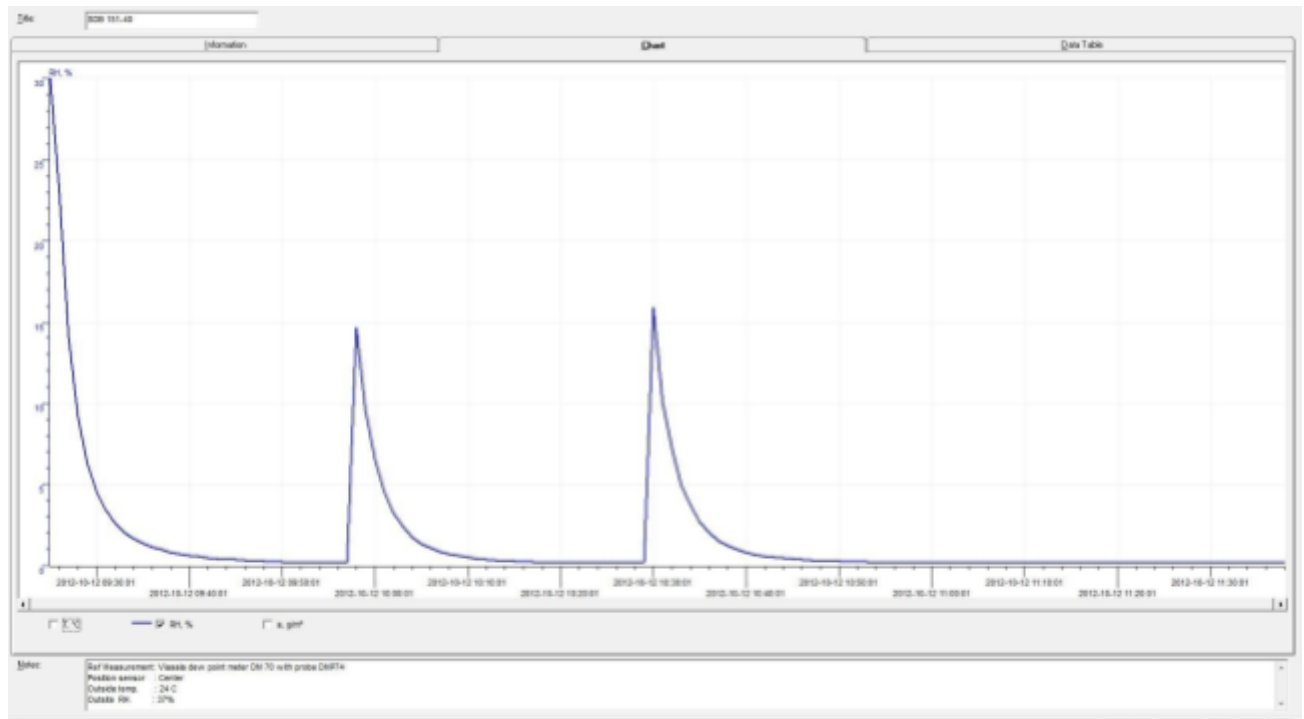
✓ Voltage:	230 VAC / 50 Hz (120 VAC / 60 Hz optional)
✓ Power:	530 W
✓ Temperature sensor:	PTC 100
✓ Thermal protection:	90 °C
✓ Temperature range:	30 - 40 °C
✓ Air flow:	86 m <sup>3</sup> /h
✓ Display tolerance:	1 digit at 25 °C

### Technical data N<sup>2</sup> Flow

✓ N <sup>2</sup> connection:	8mm hose connection
✓ N <sup>2</sup> pressure:	1 - 6 bar
✓ N <sup>2</sup> standby amount:	0 - 25 L/min

# SDB 151-40

## Performance test

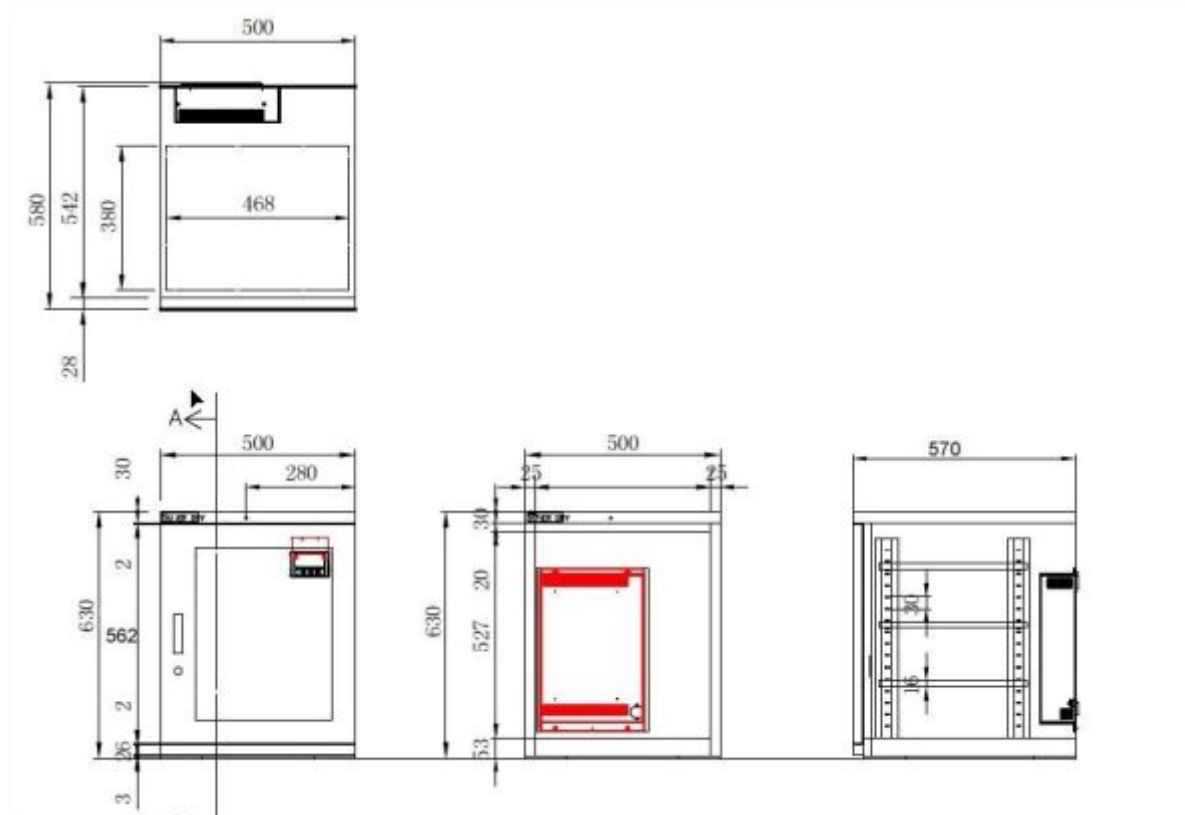


## Test conditions

- ✓ Instrument: Vaisala
- ✓ Type of dew point sensor: Vaisala drycap 180M
- ✓ Accuracy of dew point sensor:  $\pm 0,2^{\circ} \text{C}$  at  $+ 20^{\circ} \text{C}$  ( $+ 68^{\circ} \text{F}$ )
- ✓ Location of sensor: In the direct surroundings of the cabinet sensor
- ✓ Ambient conditions: Hum.  $50 \pm 5\% \text{ rH}$ ,  $22^{\circ} \text{C} \pm 2^{\circ} \text{C}$ , Pressure  $994 \pm 20 \text{ hPa}$
- ✓ Door openings: 2 door openings, 15 sec. (average RH 0,70%)

For more detailed test results, please refer to our website.

## Technical drawings



Dimensions mentioned in mm.

## Shelves

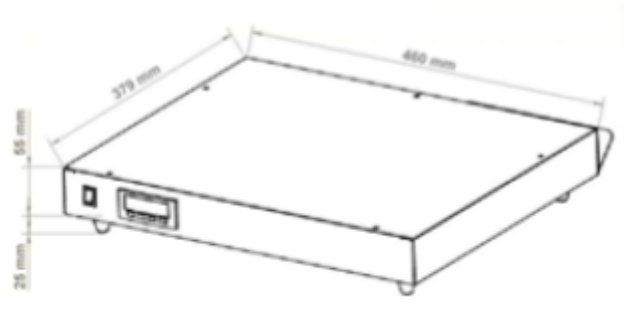
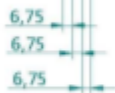
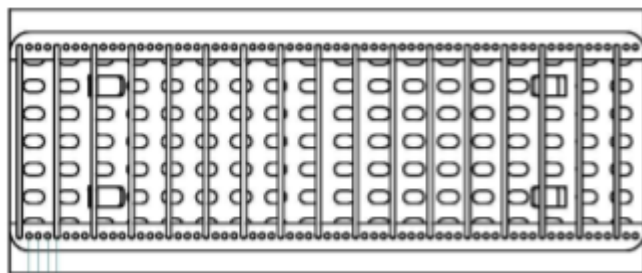
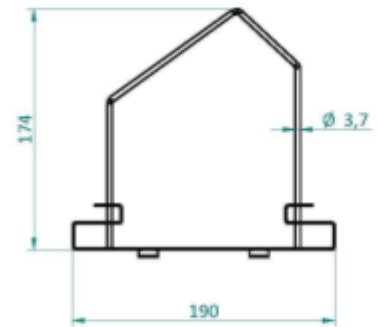
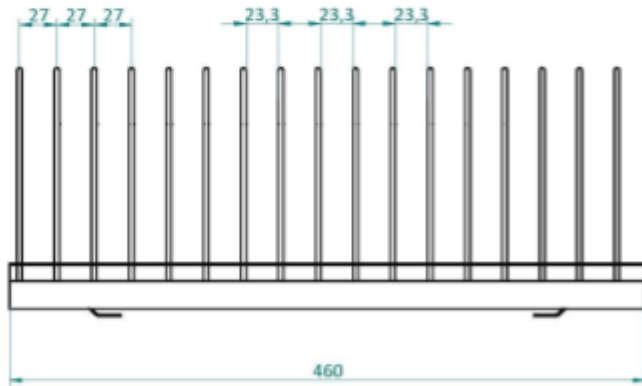
Number of different types of shelves that can be mounted in the cabinet

Number of shelves	2	3
Distance (in mm) between shelves if equally divided	165	103
Remaining space between top shelf and top beam	155	120
Remaining space between bottom shelf and bottom cabinet	175	145
Shelves are adjustable every (mm)	30	30
Loading capacity shelves m <sup>2</sup> (468 x 380 mm)	0,35	0,53

Measurements can slightly deviate.

## SDB 151-40

### Technical drawings



## SDB 151-40

### Options



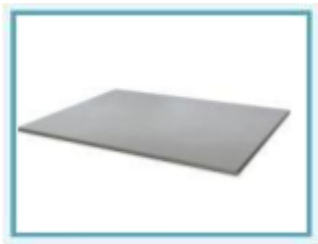
**SMD Reel rack with reel supports**  
460 mm length.

*Item number 20014000*



**Reel support**  
Additional reel supports for 20014000.

*Item number 20014200*



**Shelf standard**

*Item number 20015101*

Brackets 4 pcs:  
*Item number 30003010*



**N<sup>2</sup> Flow system**  
The N<sup>2</sup> Flow system is developed to use in combination with a Totech drying cabinet. The device is used for the quick removal of moisture in the cabinet. The drying process is realized by using nitrogen. Adjustable 10 - 100 L/min.

*Item number 20010020*



**Heater SH 230-1**  
40°C heater

*Item number 21001300*

## SDB 151-40

### Options



#### Dry unit U-4001

*Item number 230V/50Hz 30021129*

*Item number 120V/60Hz 30021131*



#### SuperDry Data Logger

Highly accurate data logger with standard Ethernet interface.  
Compatible with the Free Totech Viewer and Totech Monitor.

*Item number 47000582*